

**INCANDESCENT FLASHING BEACON - MAINTENANCE PRACTICES****1. General**

A. This section gives the procedures for the removal/installation of the incandescent beacon and flasher.

**2. Flashing Beacon Removal/Installation**

**CAUTION: When installing or removing lamp (3) use a handkerchief or a tissue to prevent getting fingerprints on lamp. Fingerprints on lamp may shorten life of lamp.**

A. Remove Flashing Beacon (Refer to Figure 201).

- (1) Loosen screw securing clamp (5) then remove dome (1) and gasket (2).
- (2) Press in slightly on bulb (3) and turn counterclockwise to remove bulb from socket (6).
- (3) Remove screws securing fin tip (7) to fin.
- (4) Disconnect receptacle (10) from plug (9).
- (5) Remove screws (4) and remove socket (6) and baffle (8).

B. Install Flashing Beacon (Refer to Figure 201 ).

- (1) Install socket (6) and baffle (8) on fin tip (7) with screws (4).
- (2) Connect receptacle (10) to plug (9).
- (3) Install fin tip (7) on fin.
- (4) Insert bulb (3) into socket (6), press in slightly, and turn clockwise.

**3. Flasher Removal/Installation**

A. Remove Flasher (Refer to Figure 201).

- (1) Remove lower empennage access plate for access to flasher (13).
- (2) Disconnect receptacle (15) from plug (14) and receptacle (16) from plug (17).
- (3) Remove screws (18) and remove flasher (13).

B. Install Flasher (Refer to Figure 201).

- (1) Install flasher (13) with screws (18), be sure ground wire (19) is installed.
- (2) Connect receptacle (15) to plug (14) and receptacle (16) to plug (17).
- (3) Install lower empennage access plate.

**4. Resistor Removal/Installation**

A. Remove Resistor (Refer to Figure 201).

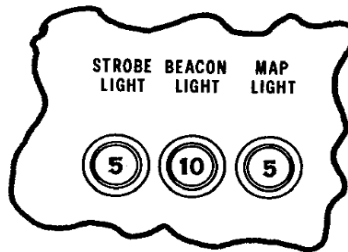
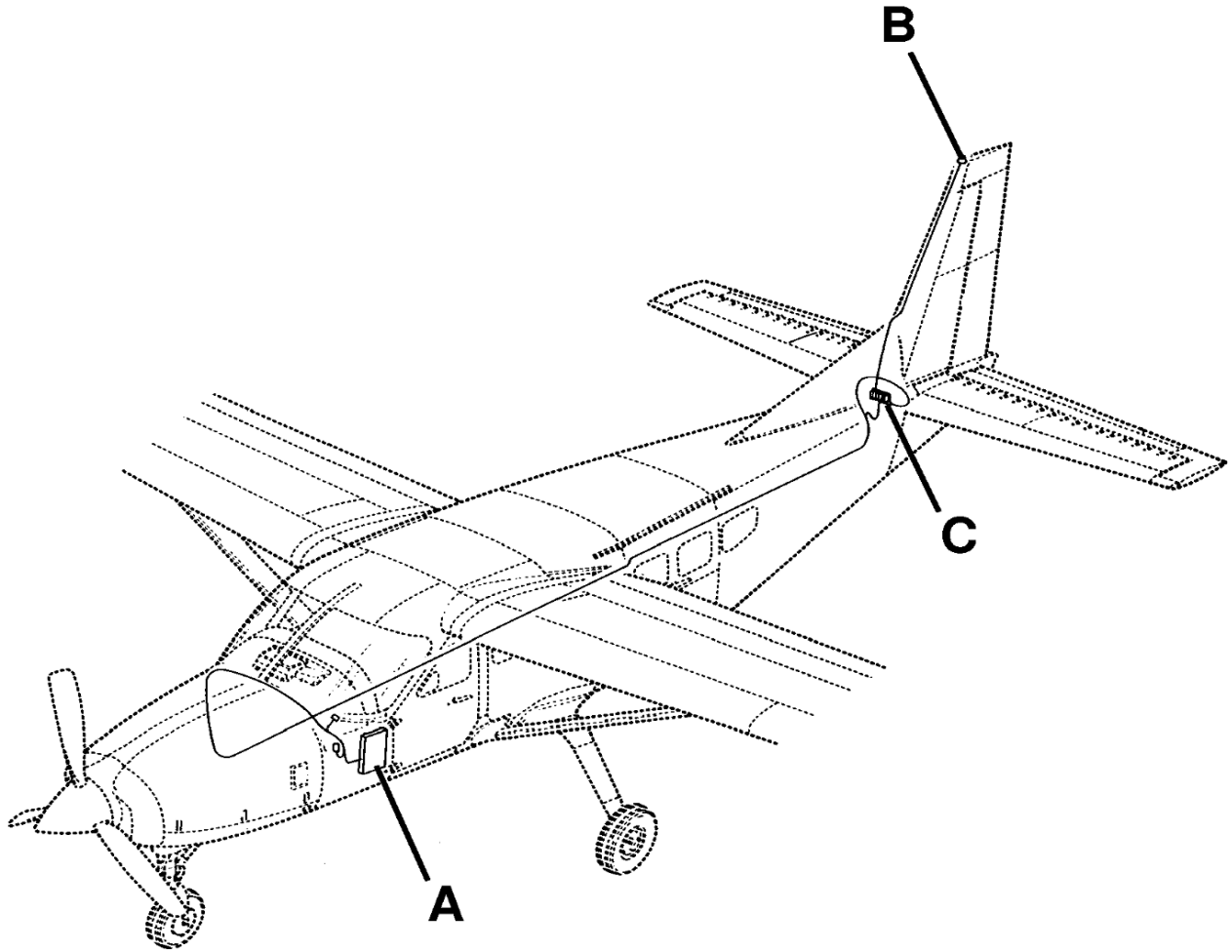
- (1) Remove lower empennage access plate for access to resistor.
- (2) Remove terminal (10).
- (3) Remove screw (12) and remove resistor (11).

B. Install Resistor (Refer to Figure 201).

- (1) Install resistor (11) and secure with screw (12).
- (2) Install terminal (10).
- (3) Replace lower empennage access plate.

Figure 201 : Sheet 1 : Flashing Beacon Installation

A22354

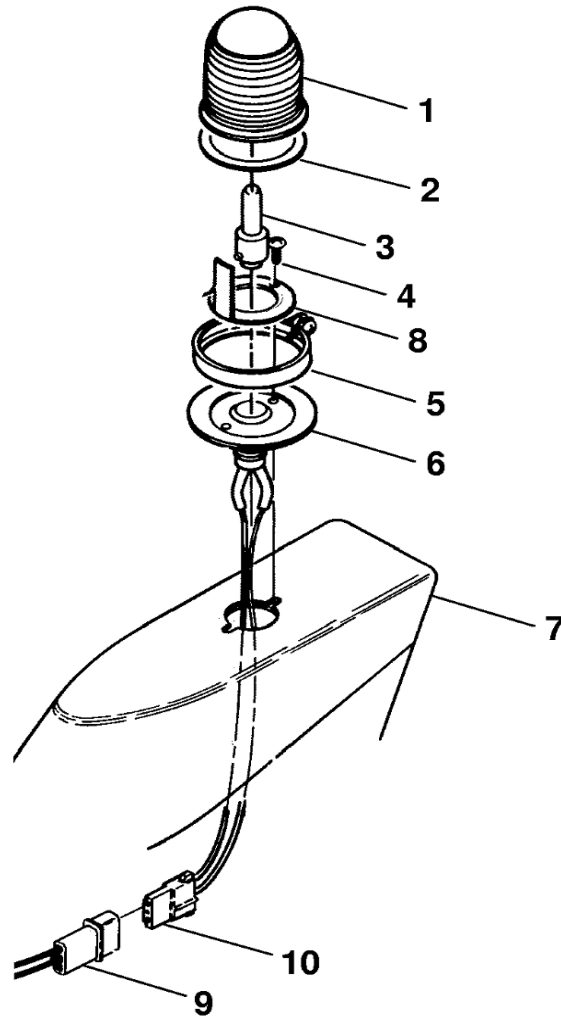


**DETAIL A**

26184004  
A2618X1166

Figure 201 : Sheet 2 : Flashing Beacon Installation

A22356



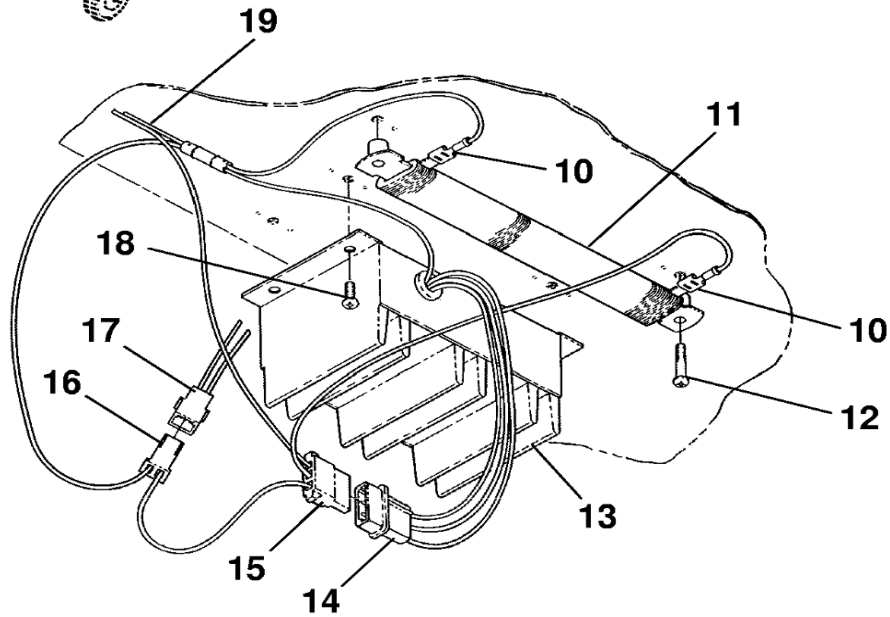
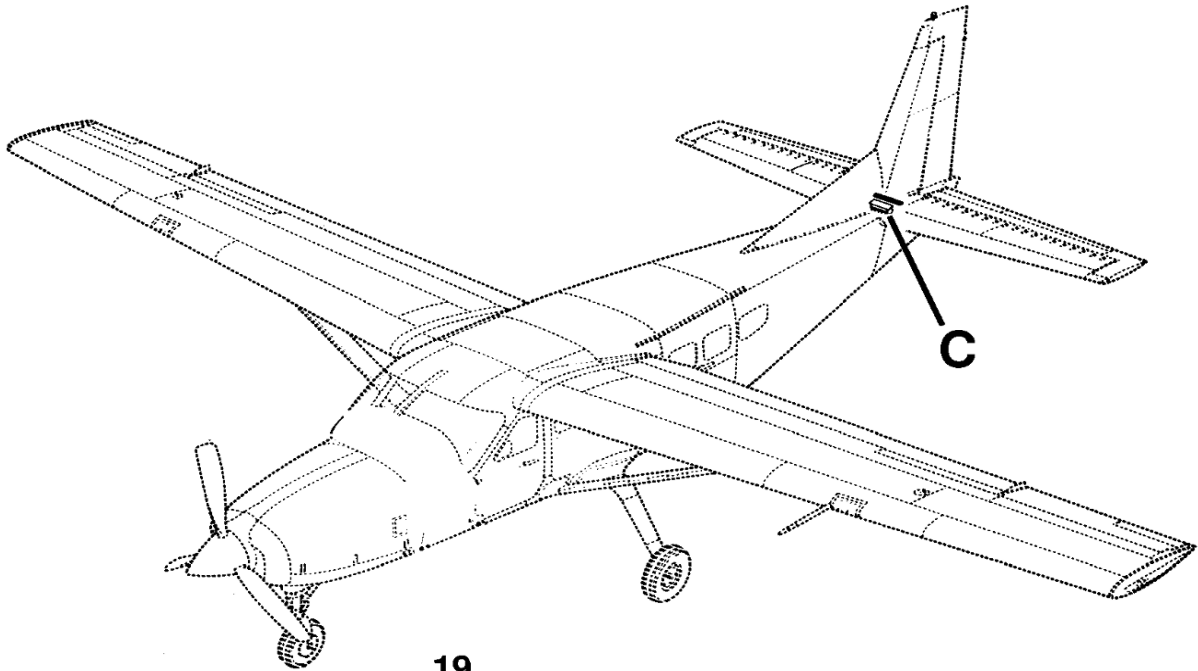
**DETAIL B**

- 1. DOME
- 2. GASKET
- 3. BULB
- 4. SCREW
- 5. CLAMP
- 6. SOCKET
- 7. FIN TIP
- 8. BAFFLE
- 9. PLUG
- 10. RECEPTACLE

26182006

Figure 201 : Sheet 3 : Flashing Beacon Installation

A22357



**DETAIL C**

- 10. TERMINAL
- 11. RESISTOR
- 12. SCREW
- 13. FLASHER
- 14. PLUG
- 15. RECEPTACLE
- 16. RECEPTACLE
- 17. PLUG
- 18. SCREW
- 19. GROUND WIRE

26181020  
C26182004